

# TS5



The TS5 is the worlds most advanced longer range stand-off concealed object detection system. It can detect concealments at distances of up to 30m making it suitable for challenging security applications.

## Features

- Stand alone screening or integrated within a wider security architecture.
- Real time screening.
- Industry leading performance.
- Safe and non-invasive screening.
- Indoor and outdoor operation.
- Continuous imaging between 6m - 30m.
- Detection of metals, plastics, ceramics, liquids, gels and powders.
- IP65 environmental rating.
- Aligned CCTV and TeraHertz cameras.
- Low voltage operation.

## Stand-off detection

The TS5 enables standoff screening for larger concealments at distances of up to 30m while also detecting smaller items at distances of 6m.

## Developed for outdoor environments

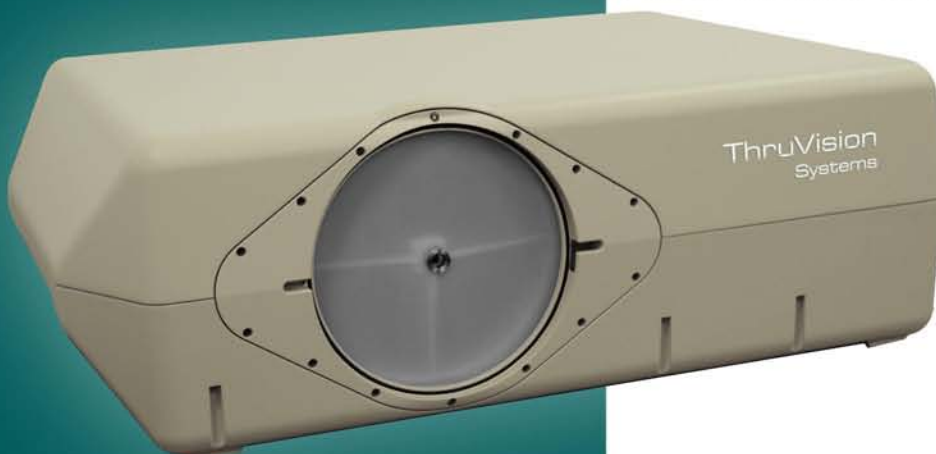
With an environmental rating of IP65 the TS5 is suitable for permanent outdoor installation at both military and corporate facilities.

## Safe and non-invasive screening

Like all of our detection products the TS5 operates by receiving natural TeraHertz energy from the person being screened and their surrounding environment. This passive detection approach ensures safety and respects the privacy of those screened.

## Vehicle deployment

The TS5 can be used effectively for mobile security screening applications. As it is a low voltage system it can be powered by a vehicle battery and is therefore the ideal vehicle mounted screening system.



## Accessories

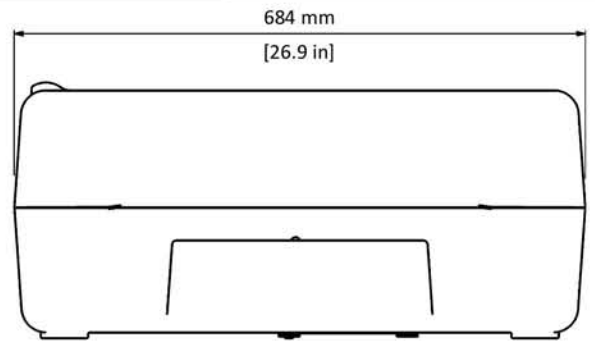
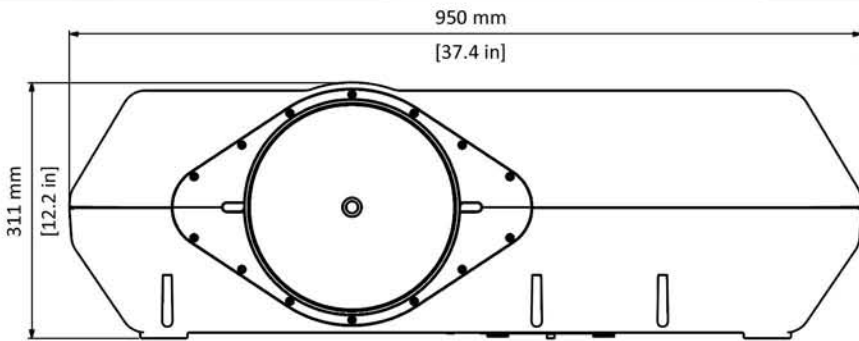
A full range of approved accessories is available for the TS5 including a rugged tripod, vehicle mounting bracket and an agile pan/tilt unit.

[www.thruvision.com](http://www.thruvision.com)

**ThruVision**  
Systems

# Physical specifications

DIMENSIONS	WEIGHT	IMAGING RANGE	ELECTRICAL
L: 950 mm (37.4 in) W: 684 mm (26.9 in) H: 311 mm (12.2 in)	50 kg (110 lbs)	Minimum: 6 m (20 ft) Maximum: 30 m (98 ft)	Power: 80 W Voltage: 20 V DC - 28 V DC Current: 3 A



## System temperatures

Operating temperature: -10°C to 55°C (14°F to 131°F)

Storage temperature: 0°C to 70°C (32°F to 158°F)

## Environmental rating

IP65 (equivalent to NEMA 4)

## Relative humidity

95% non condensing

## Field of view

1m (w) x 1m (h) @ 10m (3' x 3' @ 30'); the field of view increases linearly with distance.

## Depth of field

Infinite

## System sensors

- 0.25 THz passive sensing array with +/- 20 GHz bandwidth
- Colour CCTV camera

## Imaging information

- Frame rate: 6 Hz
- CCTV and THz data correctly aligned and overlaid

## Integration options

An SDK is available to facilitate TS5 integration with a broader security solution. Multiple TS5's can be viewed from ThruViewer™ - the default software platform supplied with the TS5.

## Approvals

CE, EN55022, EN55024, ESTI EN 300 019-2-2, ISO7637

## Available accessories

- Rugged tripod
- Agile pan/tilt unit
- Durable laptop
- Range of permanent installation brackets
- Vehicle mounting bracket

[www.thruvision.com](http://www.thruvision.com)



TS5 imagery: In this image the man was concealing an IED at a distance of 12m.



TS5 shown with optional rugged tripod and agile pan/tilt unit.

# ThruVision Systems

ThruVision Systems Ltd.  
Central 127, Number 18, Milton Park  
Abingdon, Oxfordshire, OX14 4SA, United Kingdom  
Tel: +44 (0)1235 433130, Fax: +44 (0)1235 433140

© 2011 ThruVision Systems Ltd. All rights reserved.  
Specification subject to change without notice.