

# TS4



The TS4 is the worlds most advanced compact stand-off concealed object detection system. It sets the standard for all compact passive detection systems by delivering unparalleled best in class image quality.

## Features

- Stand alone screening or integrated within a wider security architecture.
- Real time screening.
- Industry leading performance.
- Safe and non-invasive screening.
- Indoor operation.
- Continuous imaging between 3m - 15m.
- Detection of metals, plastics, ceramics, liquids, gels and powders.
- Aligned CCTV and TeraHertz cameras.



[www.thruvision.com](http://www.thruvision.com)

## Stand-off detection

The TS4 locates concealed objects on people at distances between 3m and 15m from the system. It can screen moving people without requiring them to stop, thereby not slowing down the security process.

## Developed for everyday security

There are many everyday security applications that can benefit from the use of our passive detection technology. The TS4 is suited to a variety of these indoor applications including employee screening for loss prevention purposes, passenger screening by border security forces and the screening of pedestrians by law enforcement authorities.

## Safe and non-invasive screening

Like all of our detection products the TS4 operates by receiving natural TeraHertz energy from the person being screened and their surrounding environment. This passive detection approach ensures safety and respects the privacy of those screened.

## Deployment options

The TS4 is a versatile indoor screening system that can be installed in a similar manner to a CCTV system (wall or ceiling mounted or positioned within a floor stand). The TS4 can be used to screen multiple people approaching an entrance or a single employee being screened at the end of their shift.

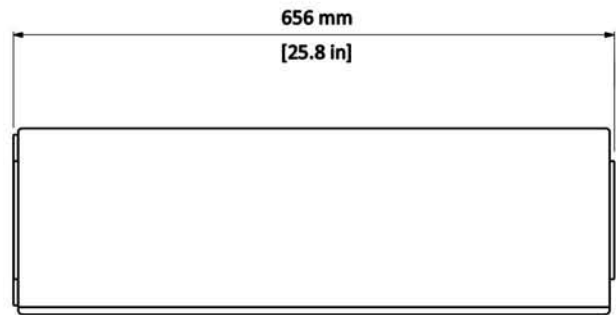
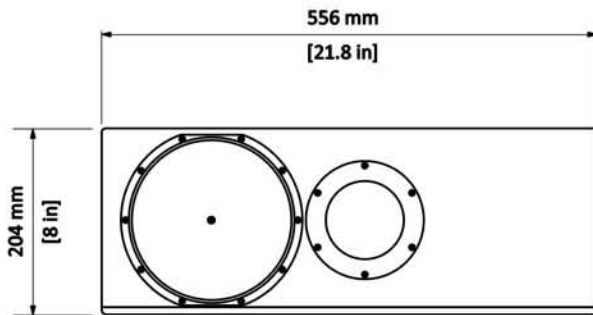
## Accessories

A full range of approved accessories is available for the TS4.

**ThruVision**  
Systems

# Physical specifications

DIMENSIONS	WEIGHT	IMAGING RANGE	ELECTRICAL
W: 556 mm (21.8 in) H: 204 mm (8 in) L: 656 mm (25.8 in)	24 kg (53 lbs)	Minimum: 3 m (10 ft) Maximum: 15 m (49 ft)	Power: 80 W Voltage: 90 V AC - 264 V AC, 47/63 Hz



## System temperatures

Operating temperature: 5°C to 45°C (41°F to 113°F)

## Environmental rating

IP52 (NEMA rating of 5, 12 and 12K)

## Relative humidity

95% non condensing

## Field of view

0.75 m (w) x 1.5 m (h) @ 4.5 m (2.5 ft x 5 ft @ 15 ft); the field of view increases linearly with distance.

## Depth of field

Infinite

## System sensors

- 0.25 THz passive sensing array with +/- 20 GHz bandwidth
- Colour CCTV camera or NIR CCTV camera

## Imaging information

- Frame rate: 6 Hz
- CCTV and THz data correctly aligned and overlaid

## Approvals

CE, EN55022, EN55024, ESTI EN 300 019-2-2

## Integration options

An SDK is available to facilitate TS4 integration with a broader security solution. Multiple TS4's can be viewed from ThruViewer™ - the default software platform supplied with the TS4.

## Available accessories

- Rugged tripod
- Agile pan/tilt unit
- Range of installation brackets
- Durable laptop

[www.thruvision.com](http://www.thruvision.com)



Vertically mounted TS4 - The man was concealing a mobile phone at a distance of 5m



Horizontally mounted TS4 - being used to locate large threats at distance (~12m)



Ceiling mounted TS4 - vertically mounted

# ThruVision Systems

ThruVision Systems Ltd.  
Central 127, Number 18, Milton Park  
Abingdon, Oxfordshire, OX14 4SA, United Kingdom  
Tel: +44 (0)1235 433130, Fax: +44 (0)1235 433140

© 2011 ThruVision Systems Ltd. All rights reserved.  
Specification subject to change without notice.